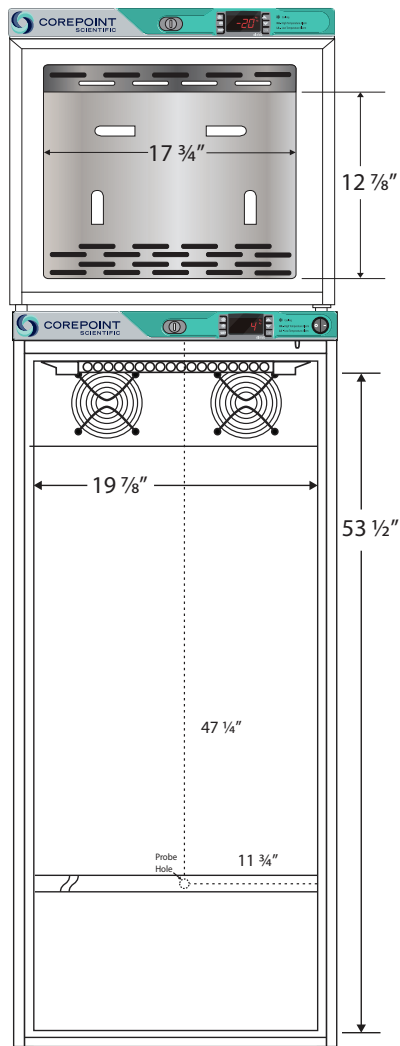




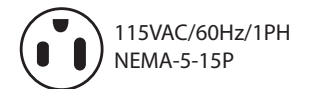
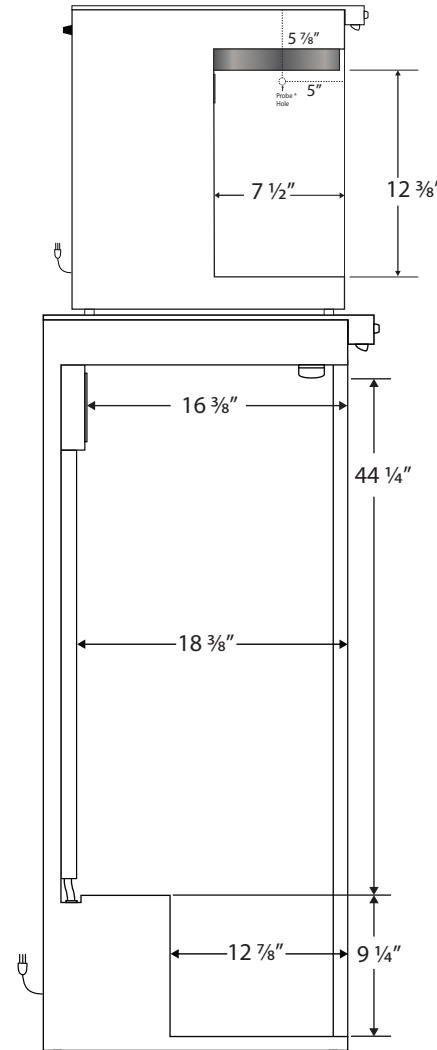
# COREPOINT SCIENTIFIC

## Interior PRF122WWG/0CAD

Front View



Side View



115VAC/60Hz/1PH  
NEMA-5-15P

Compartment	Cu. Ft	Defrost	Door	Int Door	Shelves	Interior Dim.			Refrigerant	H.P.	Amps	Weight
						W"	D"	H"				
Freezer	1	Controlled Auto Cycle	1 Solid 1 Glass	0	2 Adj. 6 Adj.	17 <sup>3</sup> / <sub>4</sub>	7 <sup>1</sup> / <sub>2</sub>	12 <sup>3</sup> / <sub>8</sub>	R600a	<sup>1</sup> / <sub>8</sub> <sup>1</sup> / <sub>3</sub>	1 2.3	246 lbs
Refrigerator	10.5					19 <sup>7</sup> / <sub>8</sub>	18 <sup>3</sup> / <sub>8</sub>	53 <sup>1</sup> / <sub>2</sub>				

Note: Interior dimensions are estimates and subject to change without notice