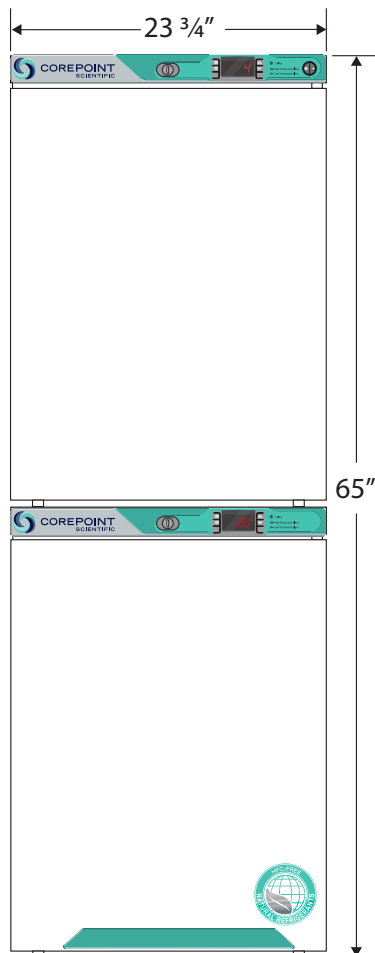
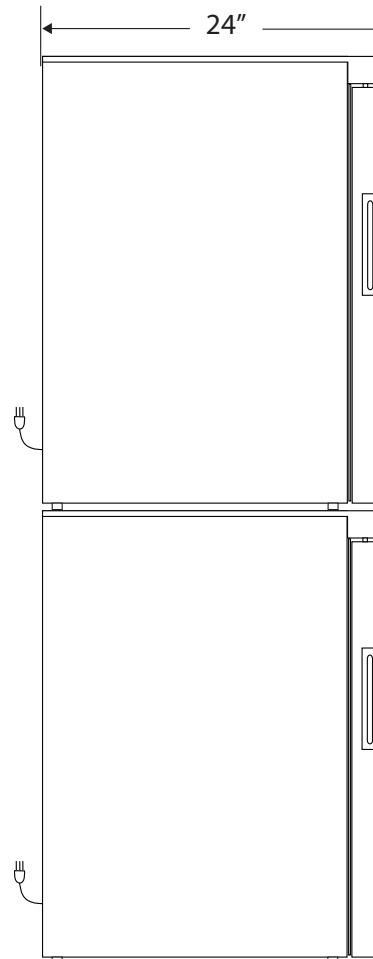


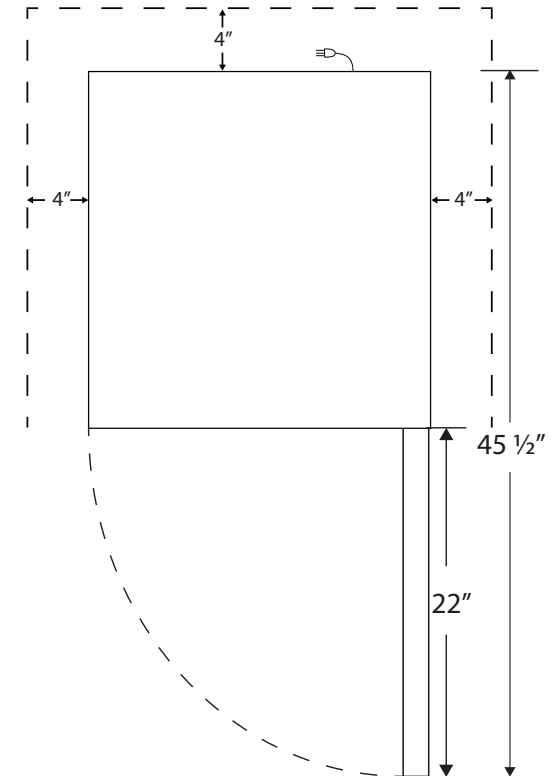
Front View



Side View



Top View


 115VAC/60Hz/1PH  
NEMA-5-15P

**NOTE: Ventilation Requirements – Minimum 4" clearance on sides and back**

Compartment	Cu. Ft	Defrost	Door	Int Door	Shelves	W"	D"	H"	Refrigerant	H.P.	Amps	Weight
Refrigerator	5.2	Cycle	1 Solid	0	3 Adj.	23 3/4	24	65	R600a	1/6	1.3	186 lbs.
Freezer	4	Manual	1 Solid	0	2 Fixed					1/8	1.4	