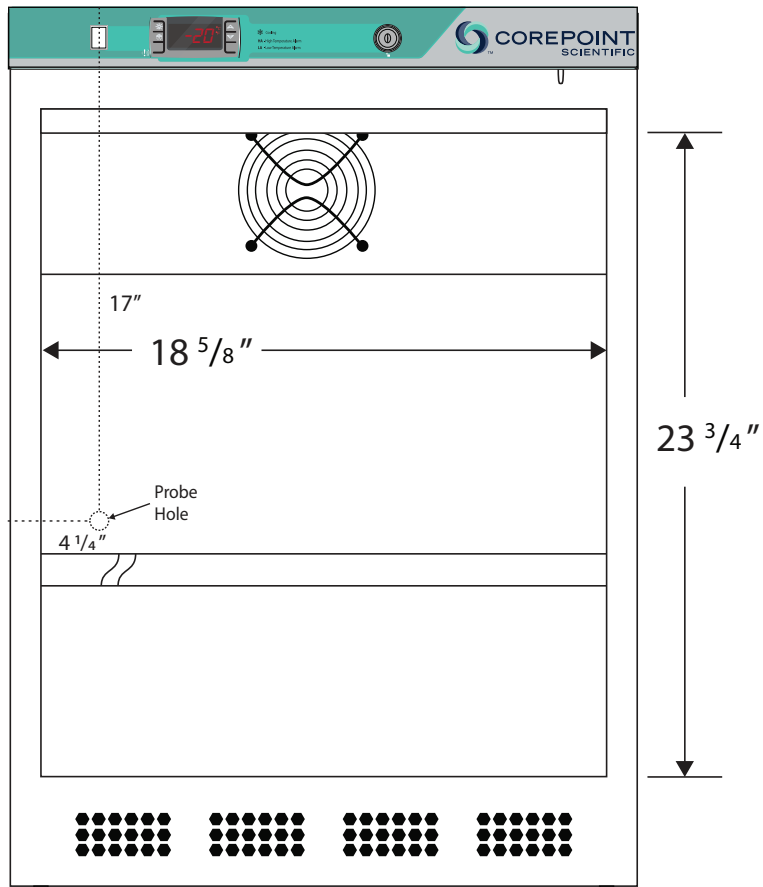
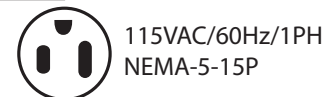
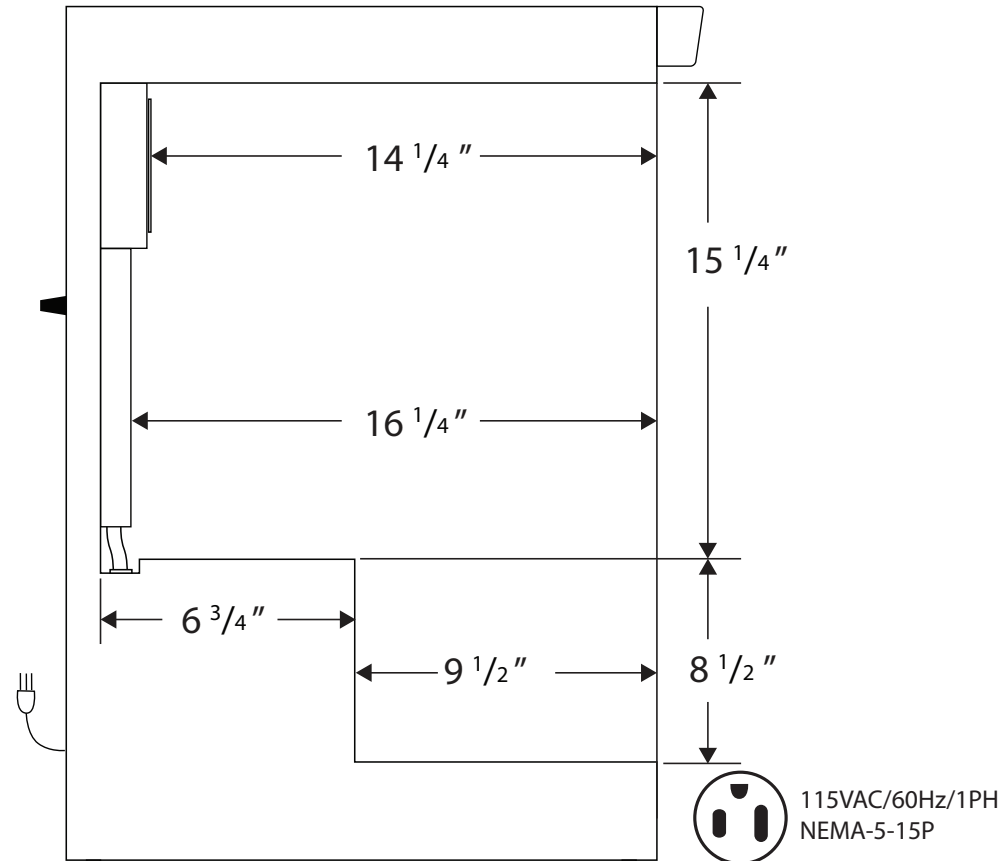


Front View



Side View



| Cu. Ft | Defrost | Door | Int Door | Shelves | Interior Dim. | | | Refrigerant | H.P. | Amps | Weight |
|--------|---------|------------|----------|---------|---------------|--------|--------|-------------|------|------|----------|
| | | | | | W" | D" | H" | | | | |
| 4.2 | Auto | 1 Solid LH | 0 | 3 Adj | 18 5/8 | 16 1/4 | 23 3/4 | R290 | 1/8 | 1.8 | 100 lbs. |

Note: Interior dimensions are estimates and subject to change without notice