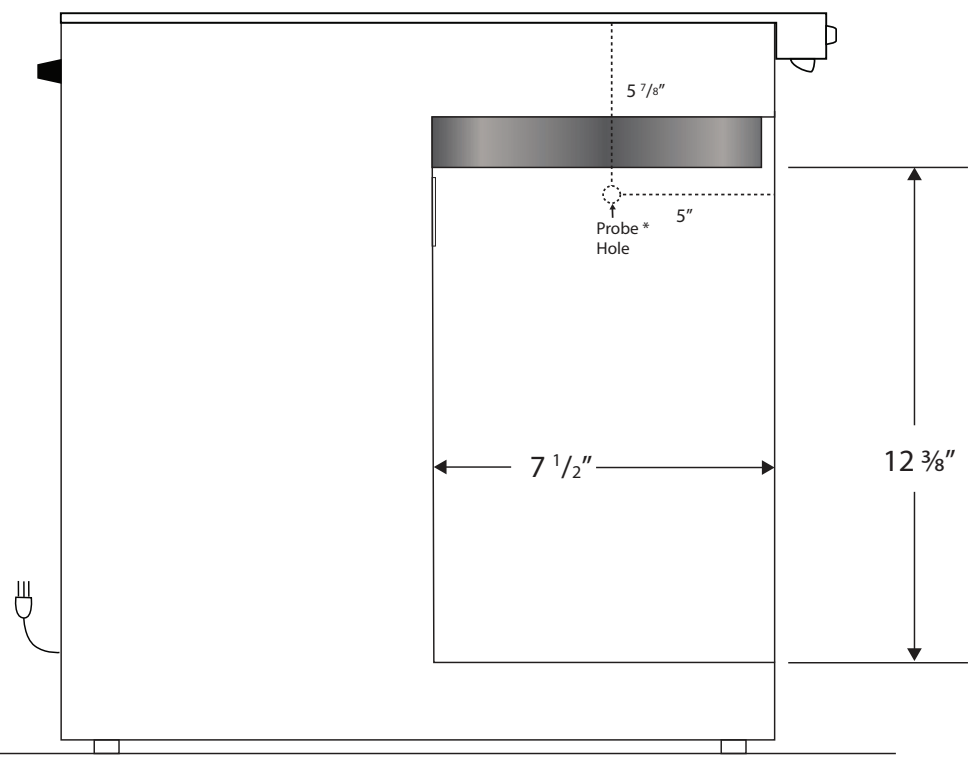
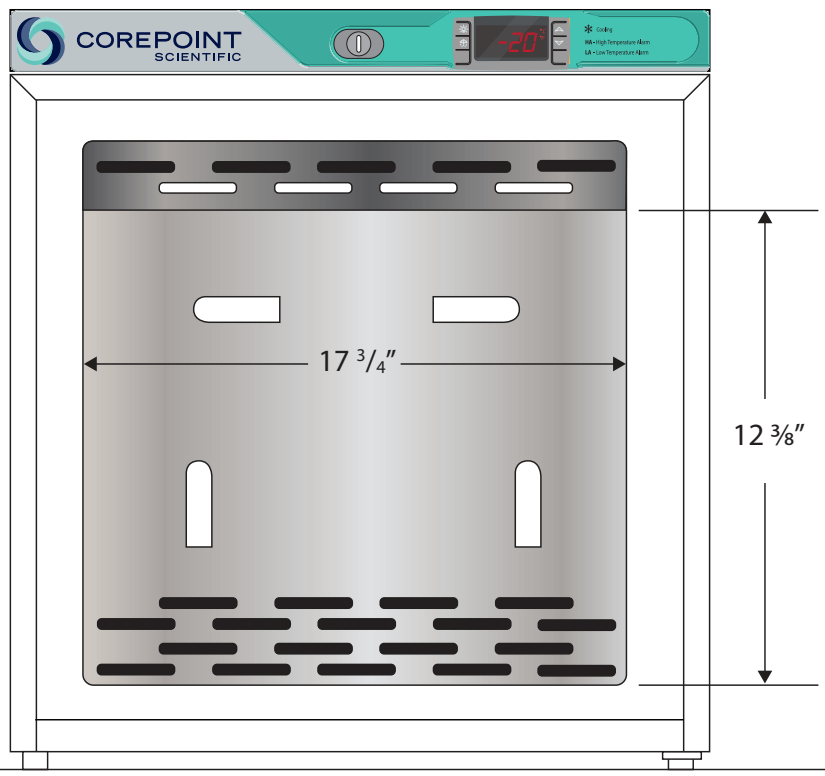



Front View

Side View

115VAC/60Hz/1PH
NEMA-5-15P

Cu. Ft	Defrost	Door	Int Door	Shelves	Interior Dim.			Refrigerant	H.P.	Amps	Weight
					W"	D"	H"				
1	Controlled Auto	1 Solid	0	2 Adj	17 3/4	7 1/2	12 3/8	R600a	1/8	1	80 lbs.

Note: Interior dimensions are estimates and subject to change without notice