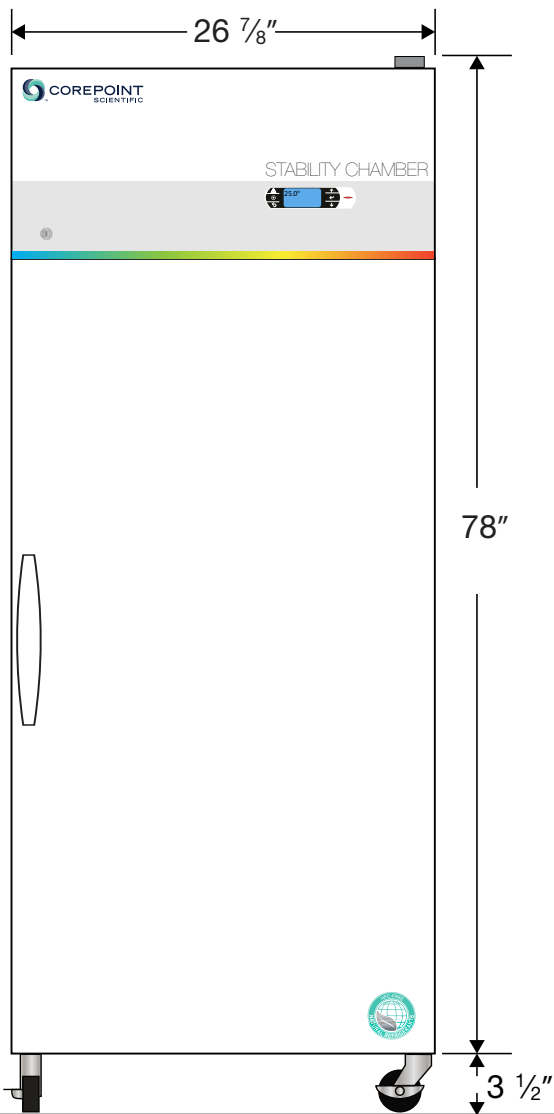
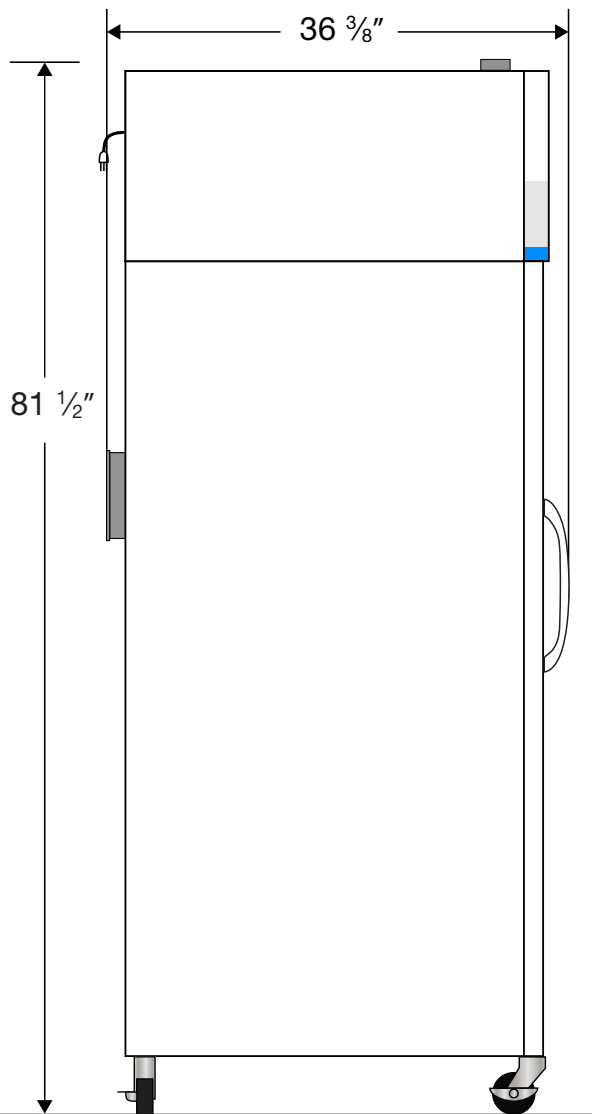


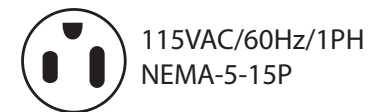
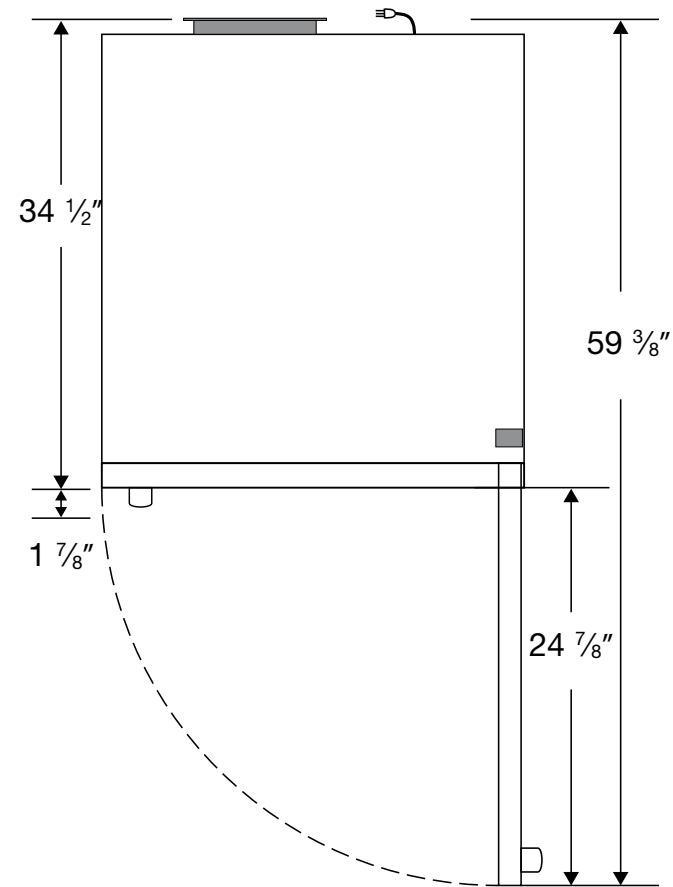
Front View



Side View



Top View



Cu. Ft	Door	Int Door	Shelves	W"	D"	H"	Refrigerant	H.P.	Amps	Weight
23	1 Solid	0	3 Adj. Sliding	26 ⁷ / ₈	36 ³ / ₈	81 ¹ / ₂	R290	¹ / ₃	12	340 lbs.