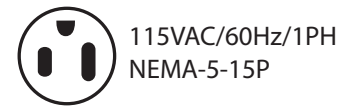
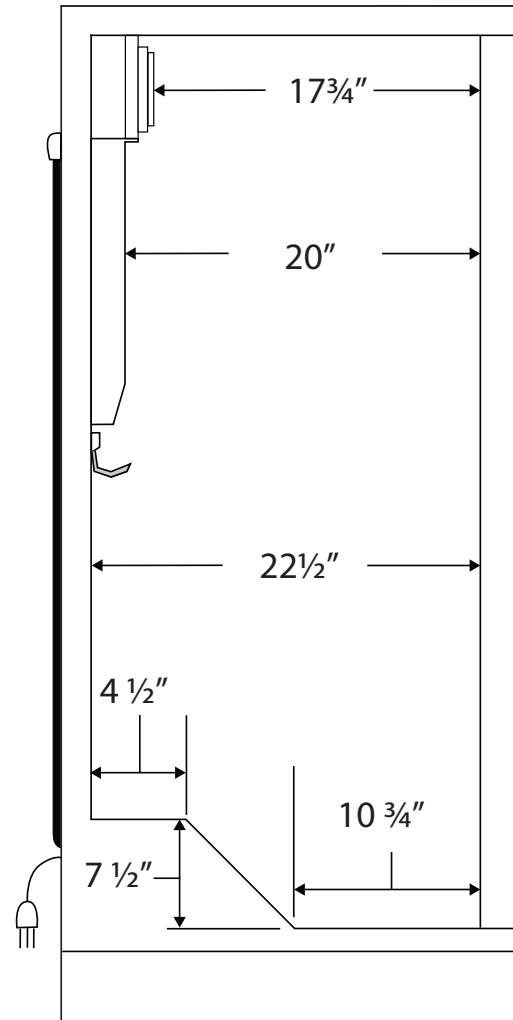
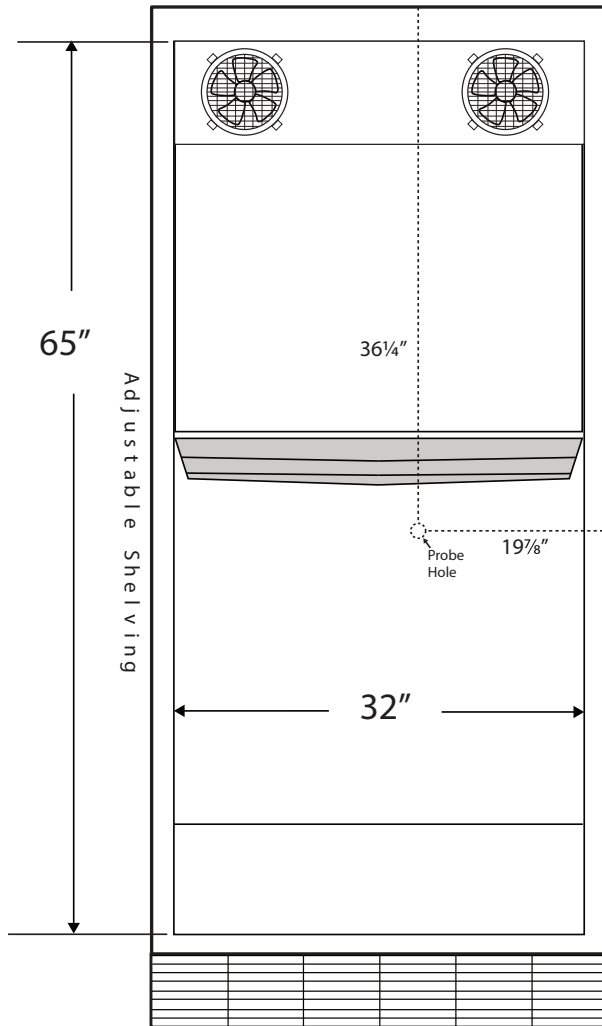


Front View

Side View



| Cu. Ft | Defrost | Door | Int Door | Shelves | Interior Dim. | | | Refrigerant | H.P. | Amps | Weight |
|--------|---------|---------|----------|---------|---------------|--------|----|-------------|------|------|----------|
| | | | | | W" | D" | H" | | | | |
| 30 | Auto | 1 Solid | 0 | 5 Adj | 32 | 22 1/2 | 65 | R134a | 1/3 | 6.8 | 312 lbs. |

Note: Interior dimensions are estimates and subject to change without notice