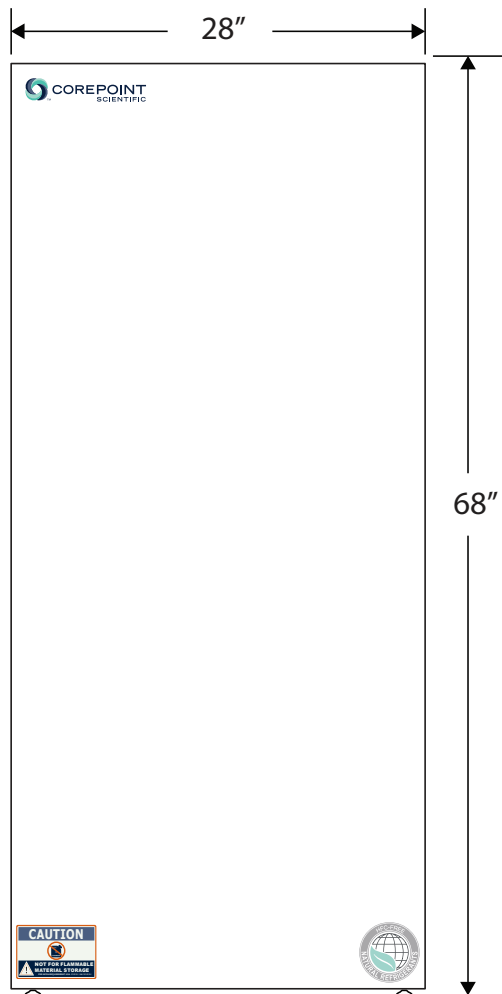
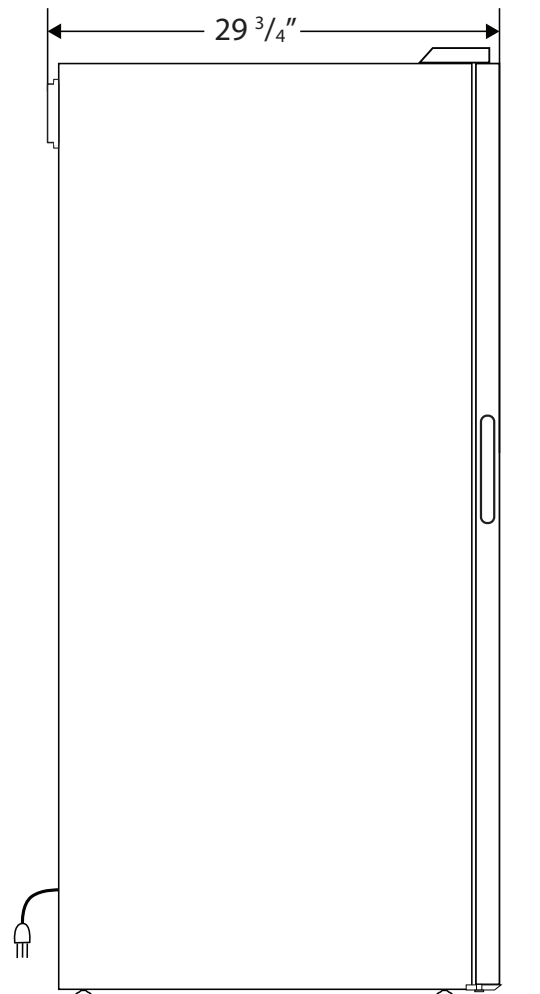


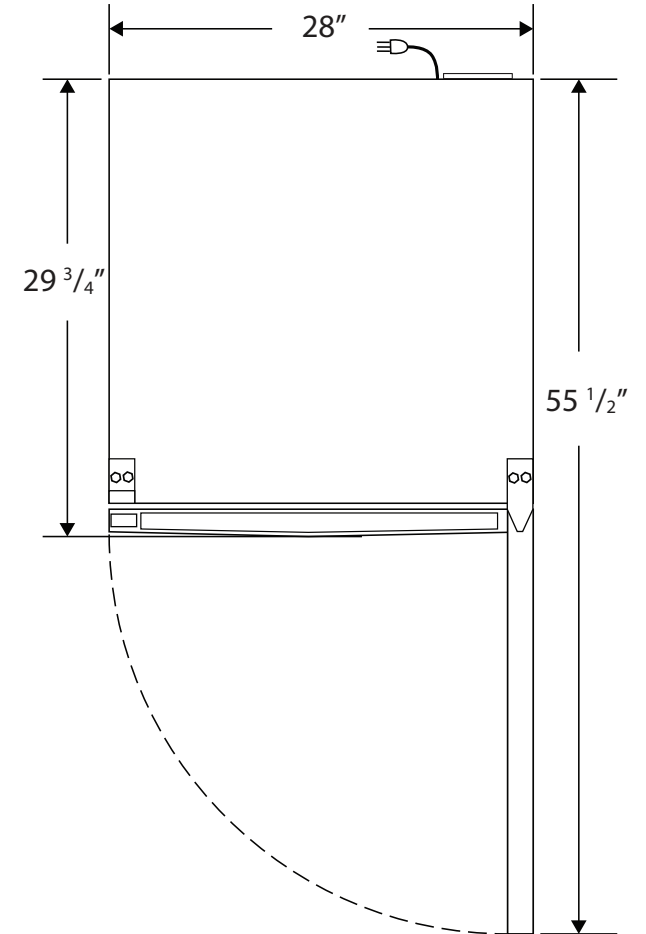

Front View



Side View



Top View



 115VAC/60Hz/1PH  
 NEMA-5-15P

Cu. Ft	Defrost	Door	Int Door	Shelves	W"	D"	H"	Refrigerant	H.P.	Amps	Weight
17	Auto	1 Solid	0	3 Adj	28	29 <sup>3</sup> / <sub>4</sub>	68	R600a	<sup>1</sup> / <sub>4</sub>	5	190 lbs.