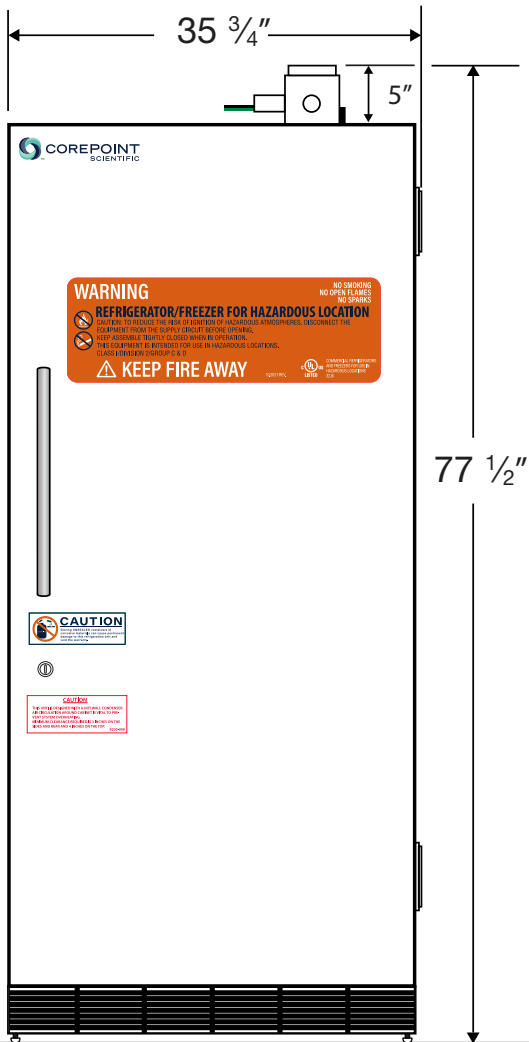
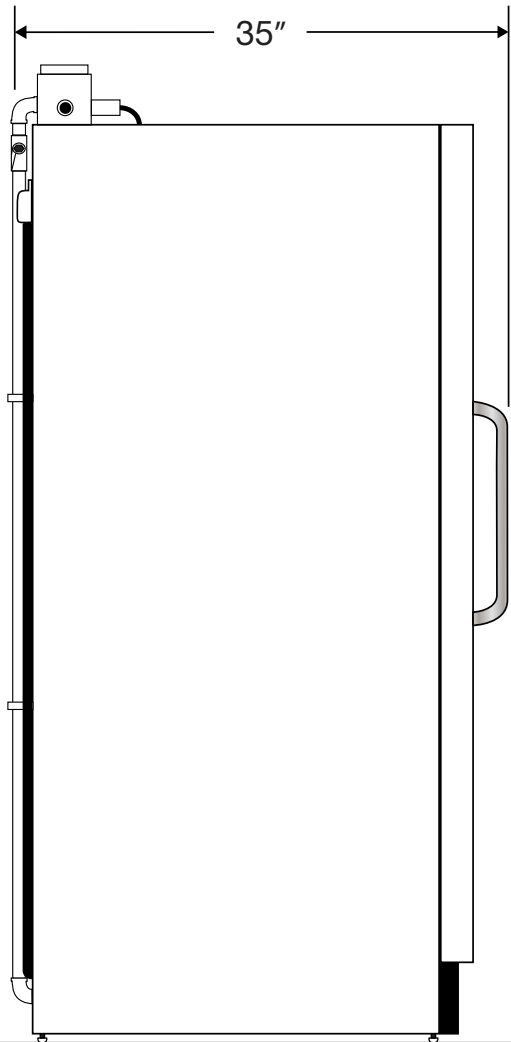


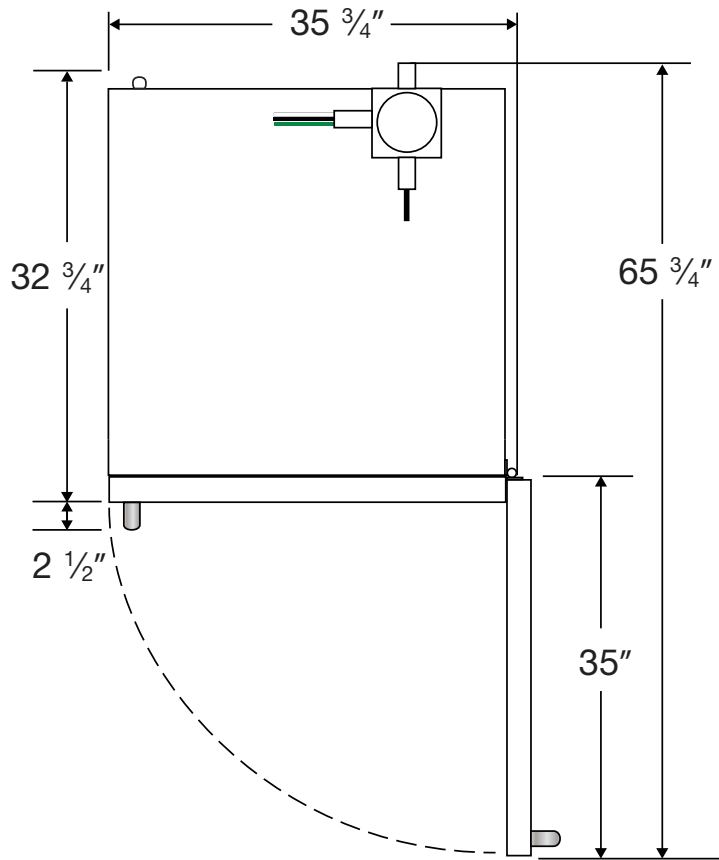
Front View



Side View



Top View



Factory Sealed Wires Only

Cu. Ft	Defrost	Door	Int Door	Shelves	W"	D"	H"	Refrigerant	H.P.	Amps	Weight
30	Manual	1 Solid	1 (Freezer)	3 Adj. (Refrigerator)	35 3/4	35	77 1/2	R404a	1/3	6	348 lbs.