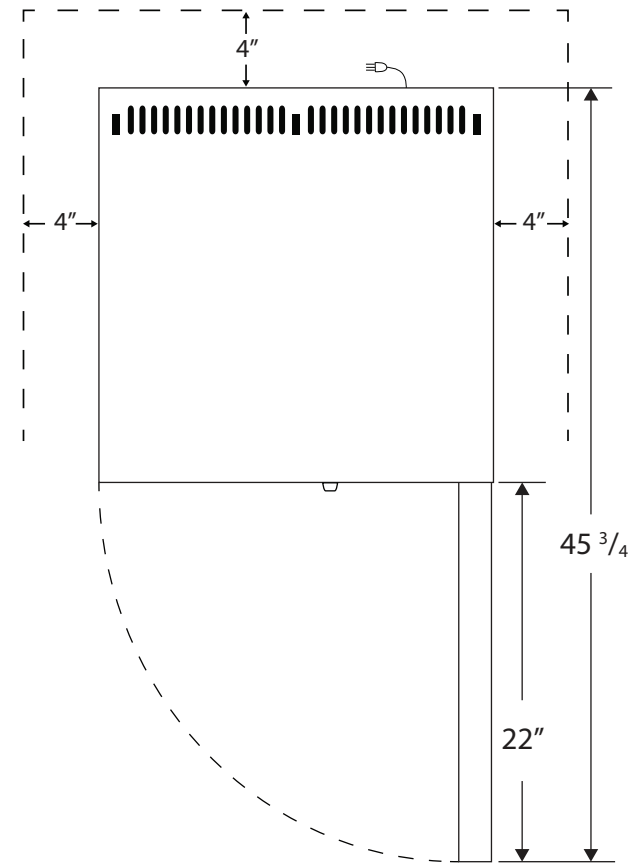
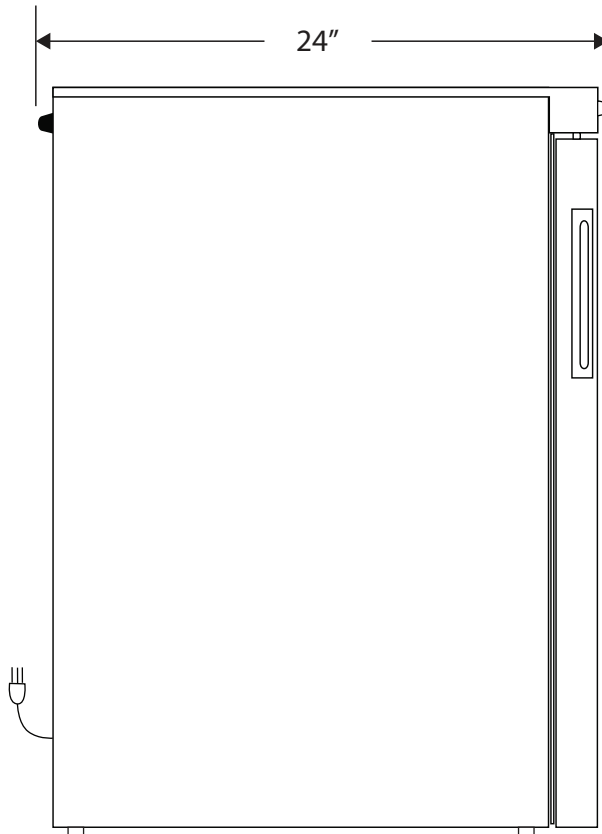


Front View

Side View

Top View



**NOTE: Ventilation Requirements – Minimum 4" clearance on sides and back**

115VAC/60Hz/1PH  
NEMA-5-15P

| Cu. Ft | Defrost | Door    | Int Door | Shelves                | W"     | D" | H"     | Refrigerant | H.P. | Amps | Weight  |
|--------|---------|---------|----------|------------------------|--------|----|--------|-------------|------|------|---------|
| 5.2    | Cycle   | 1 Solid | 0        | 3Adj<br>+Footed Bottom | 23 3/4 | 24 | 32 1/8 | R600a       | 1/6  | 1.3  | 93 lbs. |